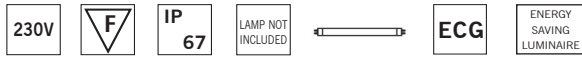
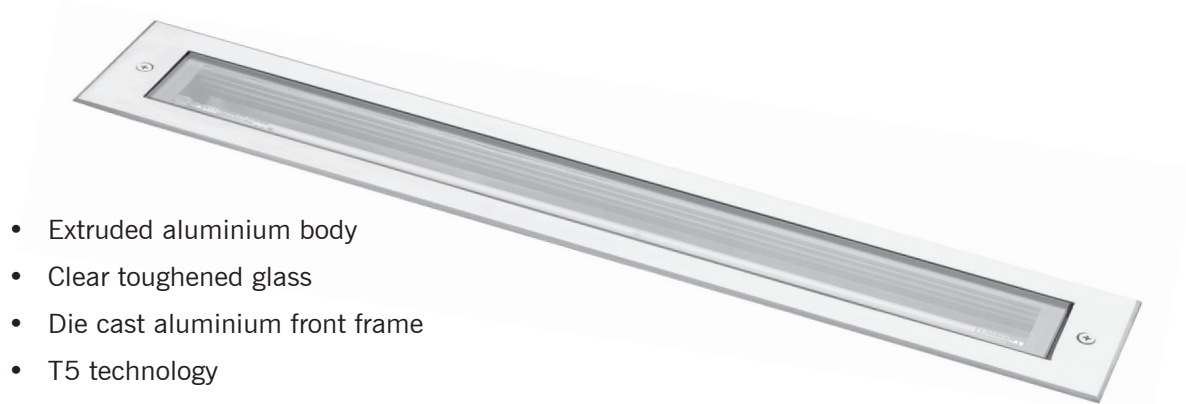


LIGHT LINEAR

LIGMAN

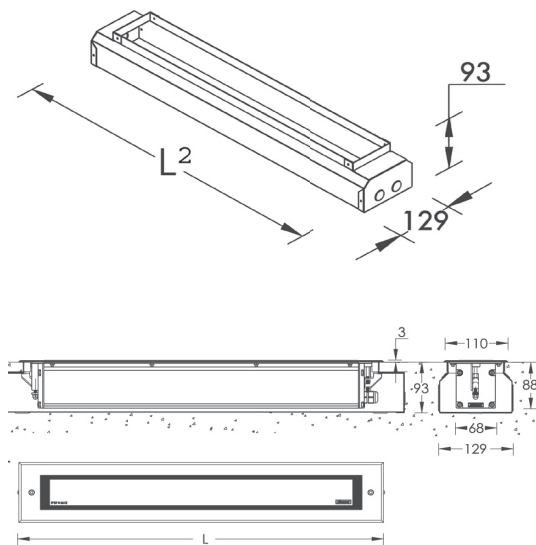


A recessed inground wall washer for various outdoor applications



LIGHT LINEAR 60108

- Extruded aluminium body
- Clear toughened glass
- Die cast aluminium front frame
- T5 technology
- Recessing box included
- Stainless steel screws
- Durable silicone rubber gasket
- Corrosion resistant
- Single cable entry. Double cable entry available or request
- Anodised bi-symmetrical aluminium reflector
- IP67



PRODUCT CODE	Watts	L	L2	Kg
LIGHT LINEAR 60105	1 x 24W T5	655mm	725mm	4,8
LIGHT LINEAR 60108	1 x 54W T5	1255mm	1325mm	8,6
LIGHT LINEAR 60109	1 x 80W T5	1555mm	1625mm	10,1