

MIC 1

LIGMAN



A small decorative garden floodlight ideal for precise lighting of plants, trees or small sculptures

- Die cast aluminium
- Clear toughened glass
- Anodized high purity aluminium reflector
- Corrosion resistant
- Stainless steel screws
- Durable silicone rubber gasket
- Integral electronic transformer
- Adjustable head
- IP65



MIC ONE 50063-04

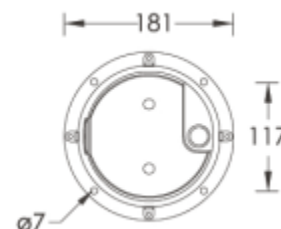
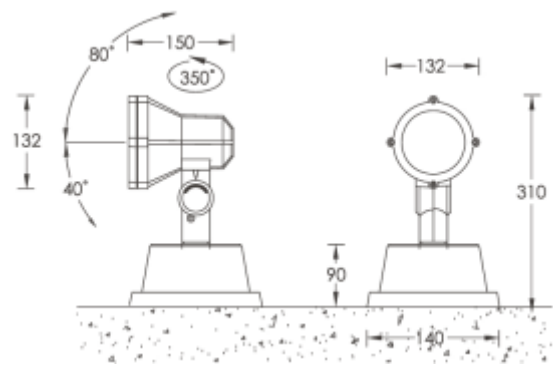
ACCESSORIES



GROUND SPIKE



VISOR



MOUNTING DETAIL

PRODUCT CODE	Watts	Kg
MIC ONE 50063-01 Black	50W Bi-pin	1,9
MIC ONE 50063-04 Metallic Silver	50W Bi-pin	1,9

Options: add suffix to product code

.../GROUND SPIKE

.../VISOR