

LIGMAN PROJECT RANGE

LIGMAN

ALL PRODUCTS ON THIS PAGE ARE DESIGNED FOR PROJECT WORK. PLEASE CONTACT OUR SALES DIVISION FOR MORE INFORMATION ON LAMP COMBINATIONS, DELIVERY TIMES AND ORDERING CODES.

AVAILABLE COLOURS FOR THE LIGMAN PROJECT RANGE

**BLACK - RAL 9011**

Add suffix to product code - 01 BLACK

**WHITE - RAL 9003**

Add suffix to product code - 03 WHITE

**METALLIC SILVER - RAL 9006**

Add suffix to product code - 04 METALLIC SILVER

**DARK GREY - RAL 7043**

Add suffix to product code - 02 DARK GREY

**MATT SILVER - RAL 9006**

Add suffix to product code - 05 MATT SILVER

LIGMAN PROJECT RANGE

LIGMAN

ALL PRODUCTS ON THIS PAGE ARE DESIGNED FOR PROJECT WORK. PLEASE CONTACT OUR SALES DIVISION FOR MORE INFORMATION ON LAMP COMBINATIONS, DELIVERY TIMES AND ORDERING CODES.

HARRIER 275mm

- Stainless steel body
- 12mm thick clear toughened glass
- Stainless steel front ring
- 275mm diameter
- 1 x 35W, 1 x 70W, 1 x 150W MHE
- IP67



LED INGROUND LIGHT LINEAR

- Extruded aluminium body
- Clear toughened glass
- Die cast aluminium front frame
- LED technology available in red, green, blue, white
- L = 655mm (72 LED's) 955mm (108 LED's) 1255mm (144 LED's) 1555mm (180 LED's)
- IP67



WALL LIGHT LINEAR

- Extruded aluminium body
- Clear toughened glass
- Die cast aluminium front frame
- Led technology available in red, green, blue, white
- L = 655mm(24W T5) 955mm(39W T5) 1255mm (54W T5) 1555mm (80W T5)
- IP67



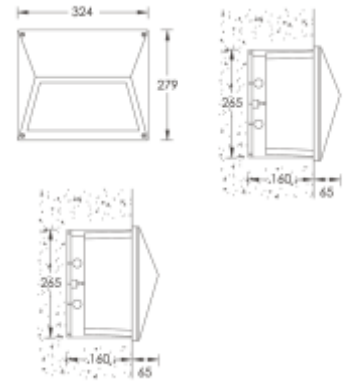
LIGMAN PROJECT RANGE

LIGMAN

ALL PRODUCTS ON THIS PAGE ARE DESIGNED FOR PROJECT WORK. PLEASE CONTACT OUR SALES DIVISION FOR MORE INFORMATION ON LAMP COMBINATIONS, DELIVERY TIMES AND ORDERING CODES.

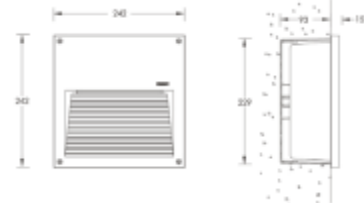
ECO WALL LIGHT

- Die cast aluminium body
- Clear prismatic toughened glass
- Anodized high purity aluminium reflector
- 2 x 18W CFL, 1 x 70W HPSE,
1 x 80W MVE, 1 x 70W MHE
- IP55



RADO SQUARE WALL LIGHT

- Die cast aluminium body
- Frosted toughened glass
- One piece anodized high purity aluminum reflector
- 1 x 18W CFL, 1 x 26W CFL
- IP65



VIOS WALL LIGHT

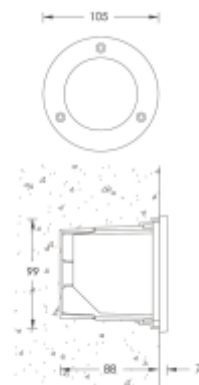
- Die cast aluminium body
- Toughened glass diffuser
- 1 x 20W capsule lamp
- IP55



PRODUCT CODE
VIOS EYE LID



PRODUCT CODE
VIOS GRID



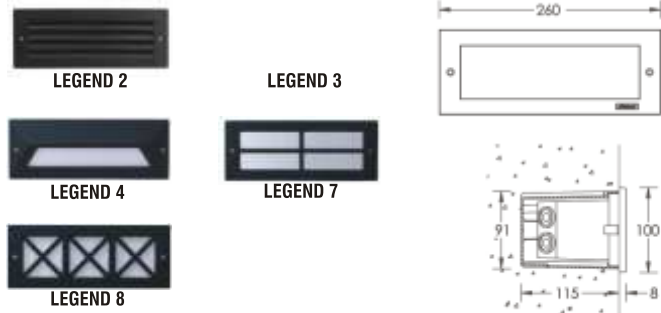
LIGMAN PROJECT RANGE

LIGMAN

ALL PRODUCTS ON THIS PAGE ARE DESIGNED FOR PROJECT WORK. PLEASE CONTACT OUR SALES DIVISION FOR MORE INFORMATION ON LAMP COMBINATIONS, DELIVERY TIMES AND ORDERING CODES.

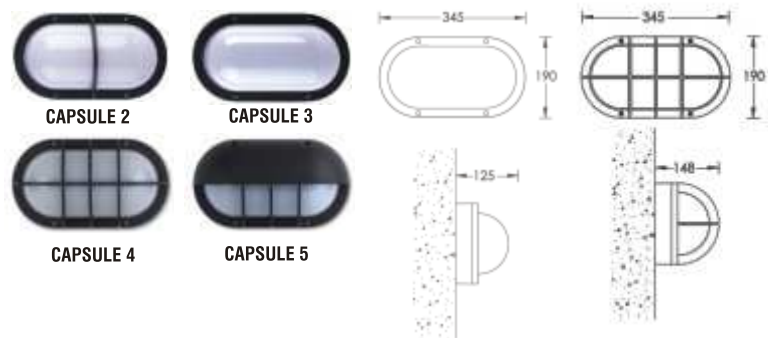
LEGEND

- Die cast aluminium body
- Stainless steel or aluminium front frame
- Polycarbonate diffuser
- 1 x 9W CFL, 1 x 13W CFL, 1 x 18W CFL, 1 x 26W CFL
- IP65



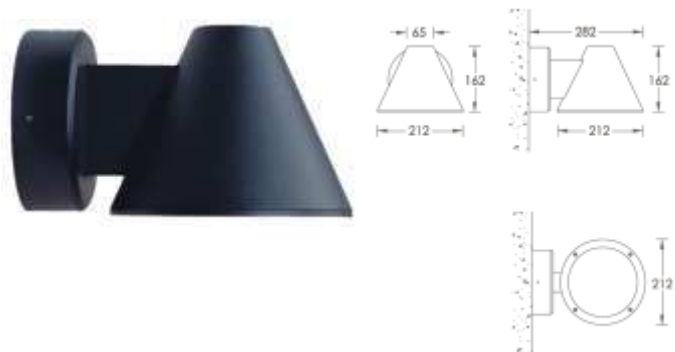
CAPSULE

- Die cast aluminium body
- Opal polycarbonate diffuser
- 1 x 18W CFL, 2 x 18W CFL, 1 x 26W CFL
- IP65



CINATI

- Die cast aluminium body
- Frosted toughened glass
- 1 x 10W CFL, 1 x 18W CFL
- IP55



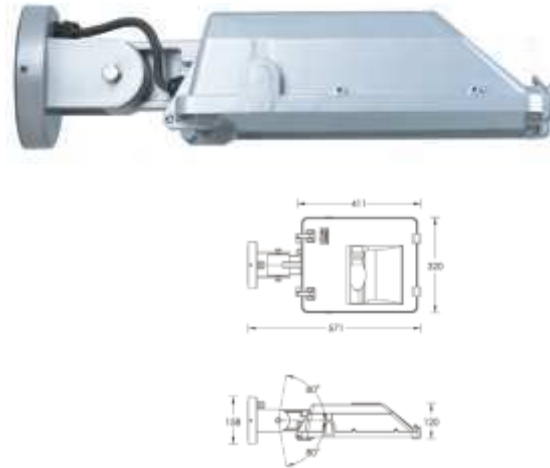
LIGMAN PROJECT RANGE

LIGMAN

ALL PRODUCTS ON THIS PAGE ARE DESIGNED FOR PROJECT WORK. PLEASE CONTACT OUR SALES DIVISION FOR MORE INFORMATION ON LAMP COMBINATIONS, DELIVERY TIMES AND ORDERING CODES.

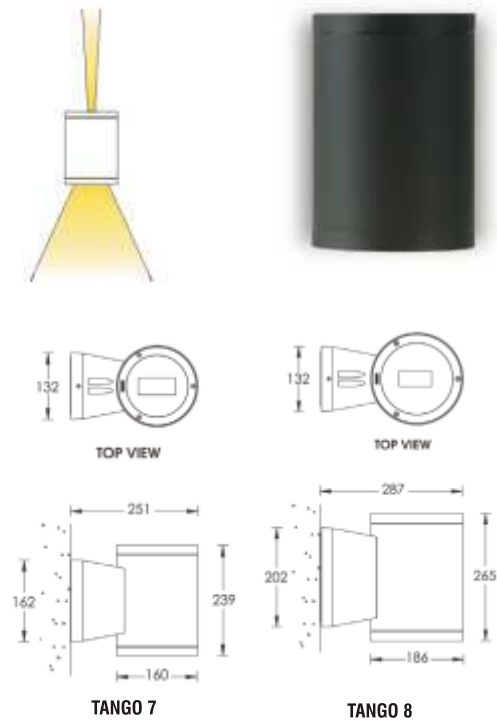
GANDALF 12 AND 13

- Die cast aluminium body
- Clear toughened glass with quick release hinge
- Anodized high purity aluminium reflector
- GANDALF 12 – 1 x 70W MHE, 1 x 150W MHE, 1 x 70W HPSE, 1 x 150W HPSE single ended lamps
- GANDALF 13 – 1 x 70W MHE, 1 x 150W MHE, 1 x 70W HPSE, 1 x 150W HPSE double ended lamps
- IP65



TANGO 7 AND 8

- Die cast aluminium body
- Clear toughened
- One piece anodized high purity aluminium reflector
- Anti glare baffle
- Red, blue, yellow and green top glass lens available
- TANGO 7 – 1 x 35W MHE
- TANGO 8 – 1 x 70W MHE, 1 x 150W MHE
- IP65



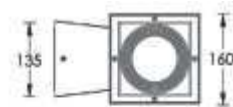
LIGMAN PROJECT RANGE

LIGMAN

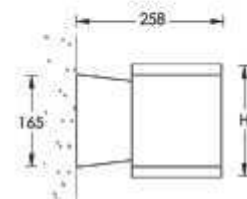
ALL PRODUCTS ON THIS PAGE ARE DESIGNED FOR PROJECT WORK. PLEASE CONTACT OUR SALES DIVISION FOR MORE INFORMATION ON LAMP COMBINATIONS, DELIVERY TIMES AND ORDERING CODES.

TANGO 11 AND 12

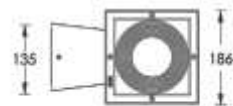
- Die cast aluminium body
- Clear toughened glass
- Anti glare baffle
- One piece anodized high purity aluminium reflector
- TANGO 11 – 2 x 18W CFL (H=412mm), 1 x 35W MHE (H=482mm), 2 x 35W MHE (H=412mm),
- TANGO 12 – 2 x 26W CFL (H=467mm), 2 x 42W CFL (H=467mm), 2 x 80W MVE (H=567), 2 x 70W HPSE (H=567), 1 x 70W MHE (H=262mm), 2 x 70W MHE (H=514mm), 1 x 150W (H=262mm)
- IP65



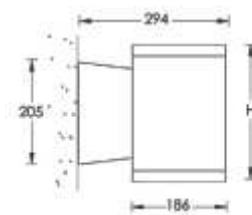
TOP VIEW



TANGO 11



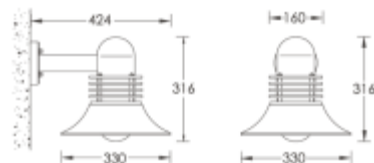
TOP VIEW



TANGO 12

DUOMO SMALL WALL LIGHT

- Die cast aluminium body
- Opal glass diffuser
- 1 x 18W CFL
- Two styles of shades and tops available
- IP55



ALL PRODUCTS ON THIS PAGE ARE DESIGNED FOR PROJECT WORK. PLEASE CONTACT OUR SALES DIVISION FOR MORE INFORMATION ON LAMP COMBINATIONS, DELIVERY TIMES AND ORDERING CODES.

DUOMO MEDIUM WALL LIGHT

- Die cast aluminium body
- Opal glass diffuser
- 1 x 26W CFL, 1 x 80W MVE,
1 x 70W MHE, 1 x 70W HPSE
- Two styles of shades and tops available
- IP55



COLUMBUS MEDIUM WALL LIGHT

- Die cast aluminium body
- Opal glass diffuser
- 1 x 26W CFL, 1 x 80W MVE,
1 x 70W MHE, 1 x 70W HPSE
- Two styles of shades and tops available
- IP55



ECO BOLLARD

- Die cast aluminium body
- Clear prismatic toughened glass
- Anodized high purity aluminium reflector
- 2 x 18W CFL, 1 x 70W HPSE,
1 x 80W MVE, 1 x 70W MHE
- IP55



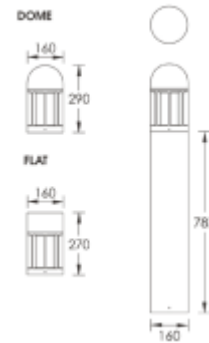
LIGMAN PROJECT RANGE

LIGMAN

ALL PRODUCTS ON THIS PAGE ARE DESIGNED FOR PROJECT WORK. PLEASE CONTACT OUR SALES DIVISION FOR MORE INFORMATION ON LAMP COMBINATIONS, DELIVERY TIMES AND ORDERING CODES.

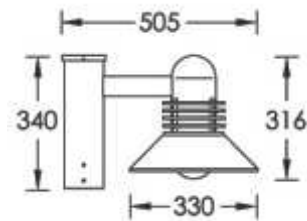
ATLANTIC BOLLARD

- Extruded aluminium column
- Die cast aluminium housing
- Opal glass diffuser
- 1 x 26W CFL, 1 x 80W MVE,
1 x 70W HPSE, 1 x 70W MHE
- Two styles of tops available
- IP55



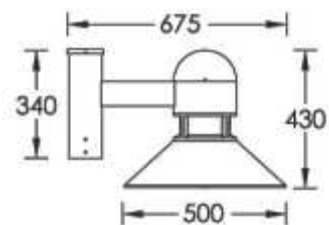
DUOMO POST TOP

- Die cast aluminium body
- Opal glass diffuser
- 1 x 26W CFL, 1 x 80W MVE,
1 x 70W MHE, 1 x 70W HPSE
- Pole note included
- Two styles of shades and tops available
- IP55



COLUMBUS POST TOP

- Die cast aluminium body
- Opal glass diffuser
- 1 x 26W CFL, 1 x 80W MVE,
1 x 70W MHE, 1 x 70W HPSE
- Pole not included
- Two styles of shades and tops available
- IP55



ALL PRODUCTS ON THIS PAGE ARE DESIGNED FOR PROJECT WORK. PLEASE CONTACT OUR SALES DIVISION FOR MORE INFORMATION ON LAMP COMBINATIONS, DELIVERY TIMES AND ORDERING CODES.

TRIANGLE STREET LIGHT

A range of small, medium and large size street lights with a broad choice of reflector designs. Lamps range from 70W – 400W mercury vapour, high pressure sodium and metal halide. Please contact our marketing division for a product brochure.

MUSTANG POST TOP

A range of small and medium size street lights with a broad choice of reflector designs. Lamps range from 70W – 400W mercury vapour, high pressure sodium and metal halide a 1000W HPSE and MHE tennis court light is also available. Please contact our marketing division for a product brochure.

MUSTANG LOW BAY

A range of small and medium size low bays with a broad choice of reflector designs. Lamps range from 70W – 400W mercury vapour, high pressure sodium and metal halide, recessed versions are also available. Please contact our marketing division for a product brochure.

